



2244 Airport Way, Redmond, Oregon 97756 Phone 541 923-2233 Fax 541 923-2255

**SERVICE BULLETIN**

**SB062-0202**

Subject: Lancair ES Fastbuild Fuselage  
Date: 18th February, 2002  
Ref: Manual page 13-30  
Pages: 2  
Status: Mandatory Compliance

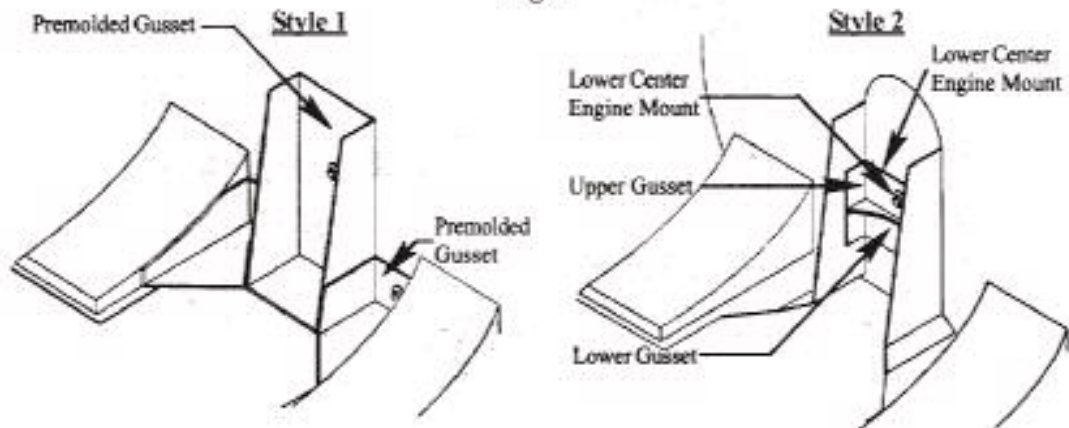
**Background:**

The Lancair ES firewall requires additional reinforcements on the aft side of the firewall for the engine mounts. There are reinforcements for each of the 5 engine mount pick up points. Some reinforcements are installed in the fastbuild fuselage (refer to section D, chapter 13 of the ES manual). There are two styles of the firewall for the Lancair ES. Refer to Fig. 1 to identify Style 1 and Style 2. The service bulletin applies to Style 2 firewalls only. If you have a Style 1 firewall the firewall is structurally complete and this service bulletin does not apply.

**Action:**

**Identifying Firewall Style**

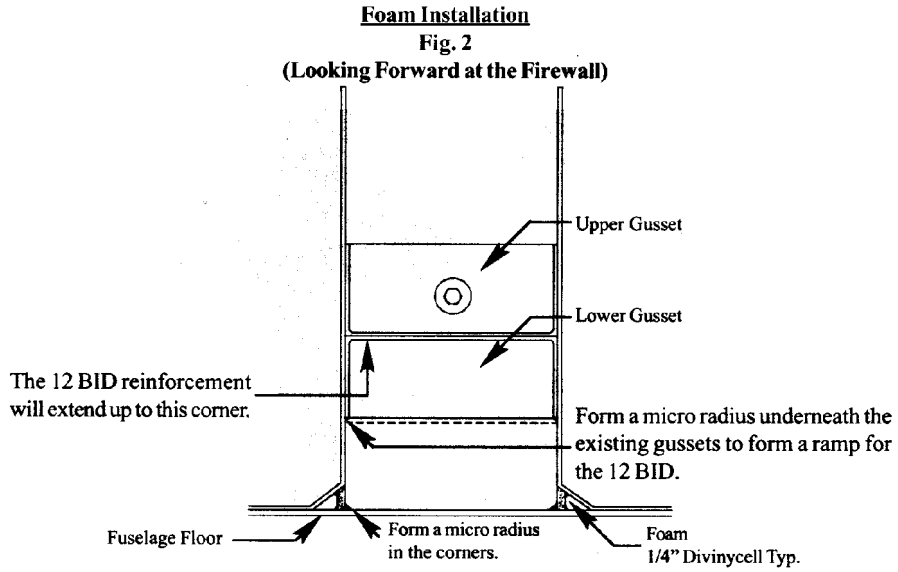
**Fig. 1**



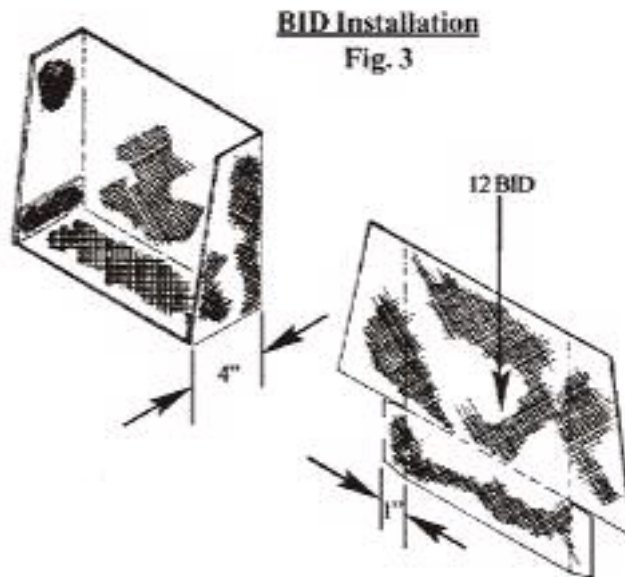
**1. Identify your firewall style. Refer to Figure 1.**

Style 1: These firewalls are not affected by this bulletin.

Style 2: If your firewall is a Style 2 firewall, review the service bulletin. Next inspect this area of the firewall. Later versions of Style 2 firewalls may have a pre-molded member substituting the 12 BID lay-up described in this bulletin. Style 2 firewalls without the reinforcements (as shown in Fig. 1, Style 2) must comply with this bulletin.



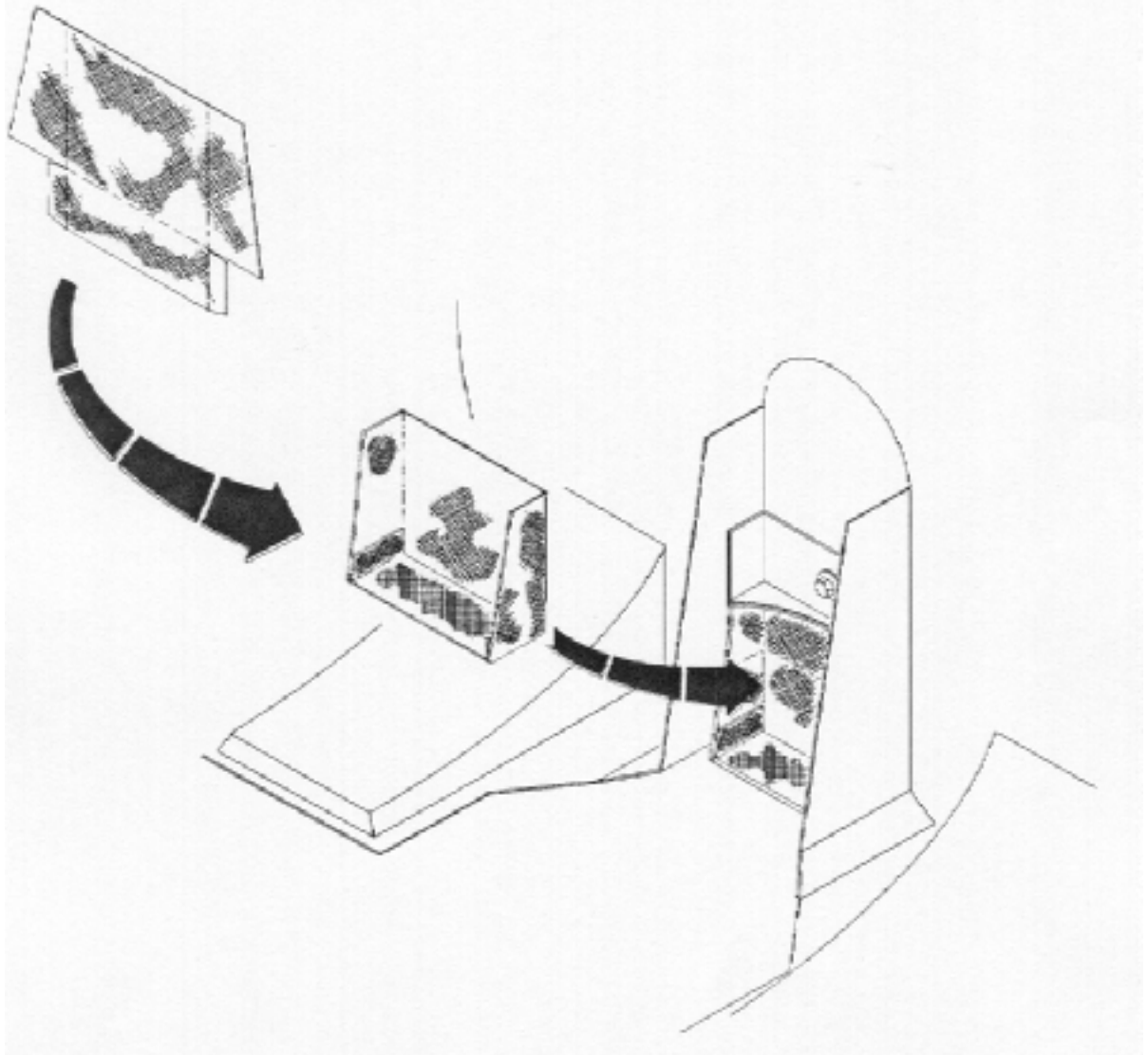
2. **Install foam at the lower edge of the gussets as shown in Fig. 2.** The purpose is to form a flat surface to lay the 12 BID reinforcement on to. Install the foam with epoxy/micro. Form fillets where the 12 BID installs. Form a micro ramp underneath the existing gusset. This will make installing the 12 BID easier.



3. Make a pattern for the 12 BID reinforcement. Refer to Figure 3. Note that the base of the pattern is 4". The overlaps are 1" as shown. Note that the BID reinforcements extend all the way onto the lower gusset (refer to Fig. 2).

### **BID Installation**

**Fig. 4**



4. Install the BID reinforcement. Refer to Fig. 4. Prepare the bonding surface following normal bonding procedures.

Hint: Use the plastic sandwich method by making three separate 4 BID lay-ups (Don't attempt wetting out more than one or two plies at a time). Place the three piles of 4 BID together and use the pattern to cut the piece (be sure to remove the plastic so there is no plastic between the plies).