



2244 Airport Way, Redmond, Oregon 97756 Phone 541 923-2233 Fax 541 923-2255

SERVICE BULLETIN

SB034-0597

Subject: Lancair IV and ES

Date: 1 May, 97

Ref: Applies to IV and ES TSIO -550 and IO-550

Pages: 1

Status: Advisory

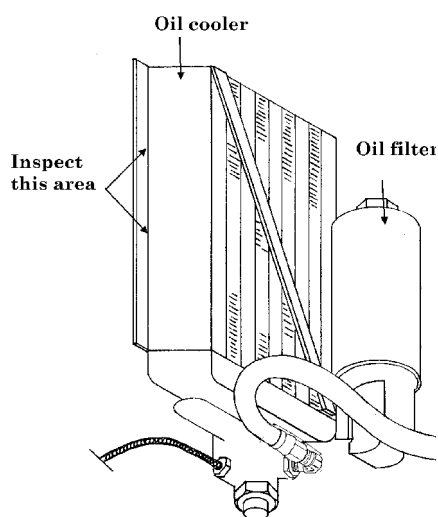
Background:

During a recent annual we noticed an oil cooler flange crack on the Lancair IV's TSIO - 550 and the Lancair ES's IO-550. The crack is normally located on the left flange and runs along the bend in the cooler. Keep in mind that the bend is located on a piece of the cooler that does not contain any oil.

Action:

Inspect and repair if needed.

Put a bead of weld along the bend area of the oil cooler.



Note:

If you do have a crack in you flange please make a copy of this service bulletin, mark where it is located, and return it to Lancair.

R&D Fax# is 541-923-7462.

